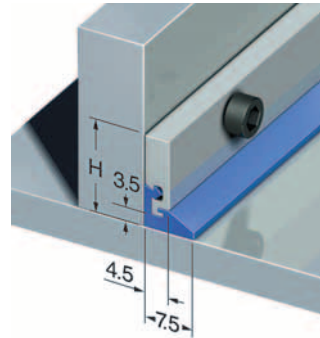


Dimensions and types

Type BA

Way wipers of this type are used mainly in those cases where installation conditions are restrictive, or where the wipers are additionally protected by means of a telescopic cover, a bellows, a link apron cover, or where no chips occur.

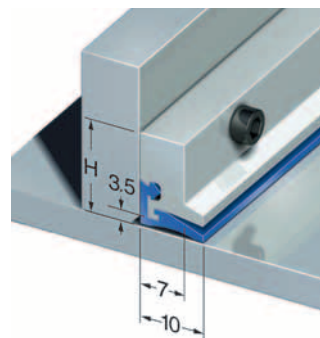


Type	Installation height H (clamped in position)
BA 18	17.5
BA 25	23.5

Standard length: 1000 mm

Type BAS

In this type series, the light metal support provides protection for the wiper lip. It is used primarily in the case of direct incidence of chips (no hot chips).



Type	Installation height H (clamped in position)
BAS 18	17.5
BAS 25	23.5
BAS 40	39.5

Standard length: 1000 mm

Pre-wiper for protection of the guideway

To protect the wiper lip from hot chips, and to remove coarse and stubborn dirt from the guideway, the way wiper must be fitted with a pre-wiper made from stainless spring steel or brass.

The pre-wiper and its corresponding light metal clamping strip are affixed to the machine component with the fastening screws of the wiper.

For straight way wipers with a corresponding hole pattern (distance between holes ≤ 80 mm), the clamping strip is not required.

The enquiry form can be found on page 79.

Way wiper BA 65 – bar material.

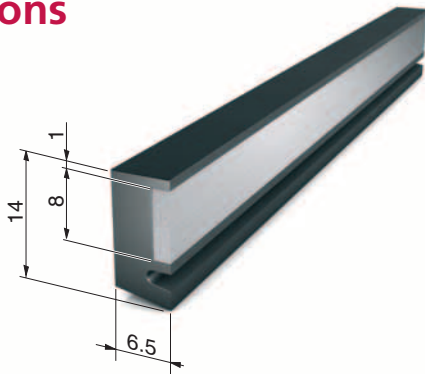
Wipers of this type are compact and are notable for high shape accuracy and dimensional accuracy.

It is manufactured in various forms, thus guaranteeing high repeatability.

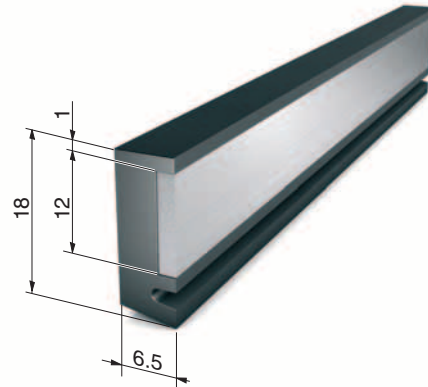
Properties

- Temperature resistance – 40 °C to + 100 °C, briefly up to 140 °C
- Support material: Steel
- Wiper lip material: Abrasion-resistant synthetic rubber (NBR)
- Resistant to standard oils, greases, acids and bases
- Resistant to microorganisms

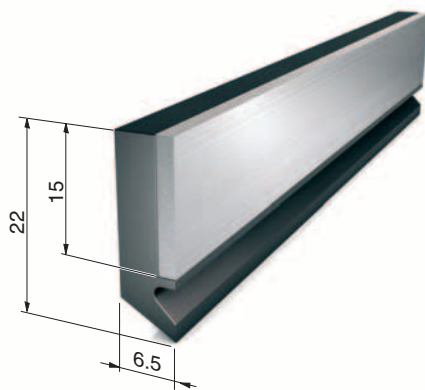
Dimensions



■ Way wiper BA 65-14



■ Way wiper BA 65-18



■ Way wiper BA 65-22



■ Way wiper BA 65-25

Type	Pretension (max.)
BA 65-14	1 mm
BA 65-18	1 mm
BA 65-22	2 mm
BA 65-25	1 mm

Length: 500 mm

The enquiry form can be found on page 79.

Way wiper BA 115 – bar material.

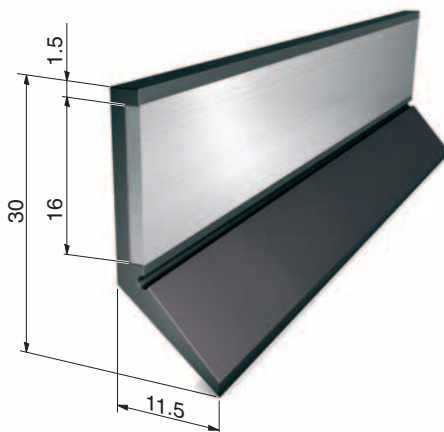
Highly flexible wiper with a max. pretension of 4 mm.

It is likewise manufactured in various forms, guaranteeing high repeatability.

Properties

- Temperature resistance – 40 °C to + 100 °C, briefly up to 140 °C
- Support material: Steel
- Wiper lip material: Abrasion-resistant synthetic rubber (NBR)
- Resistant to standard oils, greases, acids and bases
- Resistant to microorganisms

Dimensions



- Way wiper BA 115-30

Type	Pretension (max.)
BA 115-30	4 mm

Length: 500 mm

The enquiry form can be found on page 79.

Way wiper BA 65 VARIO

The most economical alternative to cast wipers – even for small quantities. On request we also manufacture them according to your specifications – custom tailored for your application.

BA 65 VARIO way wipers are optionally available as complete wipers, or as individual wiper lips in bar form for your own harnessing.



So-called **"cast wipers"** are wipers consisting of a piece of neoprene rubber vulcanised onto a steel support profile. They are produced in specially-manufactured injection moulds. Larger quantities are essential, as the tool costs must be offset by the number of parts produced.

The wiper system **BA 65 VARIO** is a new development for which no special tools are required: A pre-finished profile of synthetic rubber is custom-tailored. The support profile – usually made from metal – can be produced on a laser or nibbling machine.

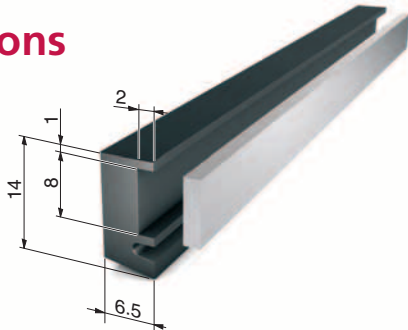
Thus smaller quantities can be produced in this way at a reasonable cost.

Properties

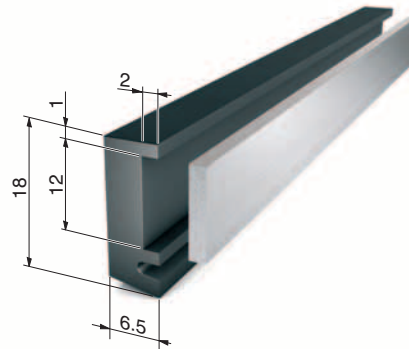
- Temperature resistance – 40 °C to + 100 °C, briefly up to 140 °C
- Support material: Steel, stainless steel
- Wiper lip material: Abrasion-resistant synthetic rubber (NBR)
- Resistant to standard oils, greases, acids and bases
- Pretension of the wiper lip: max. 1 mm
- Resistant to microorganisms

The enquiry form can be found on page 79.

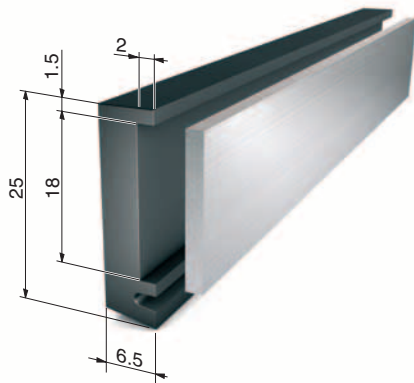
Dimensions



■ Way wiper BA 65-14 VARIO



■ Way wiper BA 65-18 VARIO



■ Way wiper BA 65-25 VARIO

Type	Pretension (max.)
BA 65-14	1 mm
BA 65-18	1 mm
BA 65-25	1 mm

Length: 500 mm

Delivery options

1. Construction set as individual parts

The support material and wiper lips are produced according to your specifications, and put together as a construction set.



■ Easy assembly of the individual parts

2. Ready-to-install wiper system

All parts are supplied affixed to the support profile.



■ Ready-to-install wiper system

3. Separate wiper lip

If your production department can produce the required support plates itself, you can order the wiper lip from us separately. The delivery length is 500 mm.

It can be ordered as follows:

....pcs.	wiper lip	BA 65-14	material no.	79000
....pcs.	wiper lip	BA 65-18	material no.	79001
....pcs.	wiper lip	BA 65-25	material no.	79003



■ Wiper lip bar material