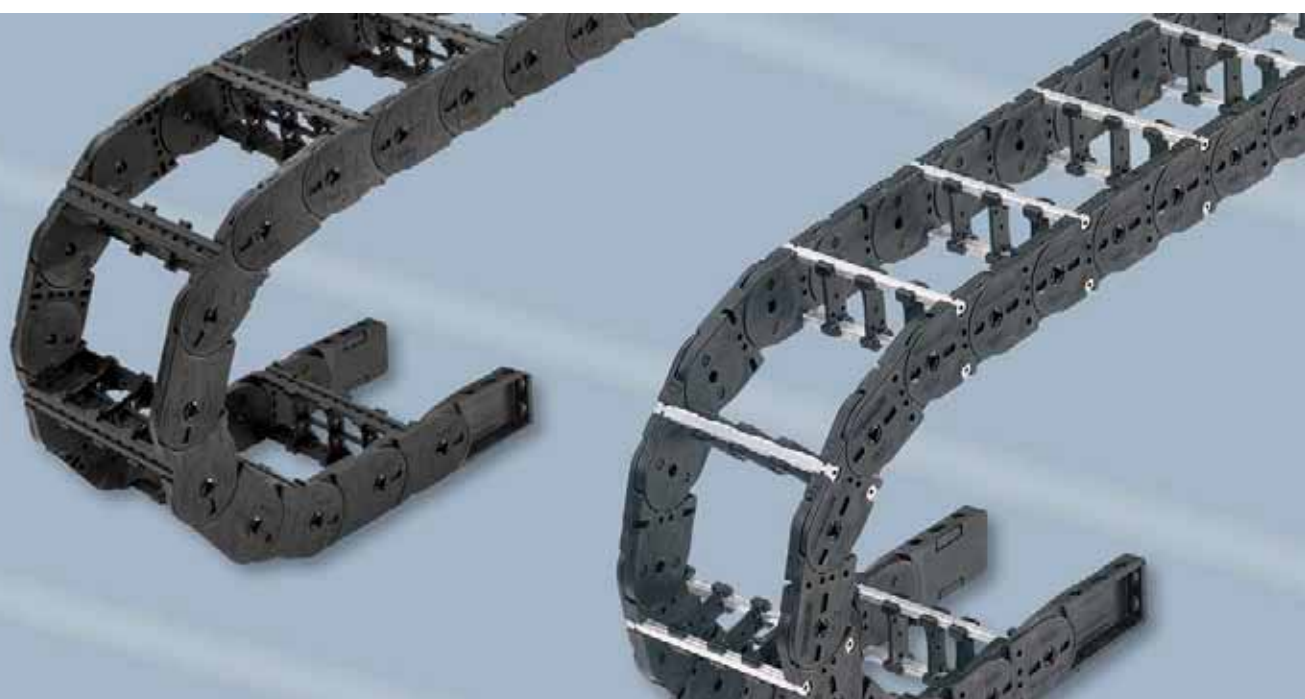


Cable carriers with
variable chain widths

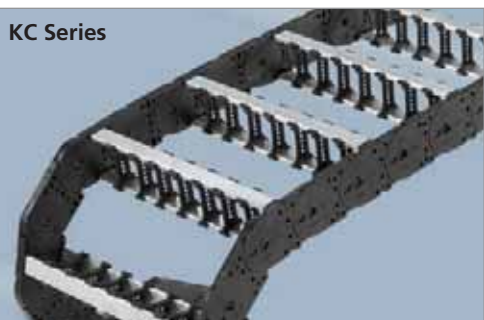
K Series



K Series – Cable carriers with variable chain widths



- Available in 1, 8 or 16 mm section widths
- Standard widths can be delivered ex-stock
- Can be opened quickly on the inside and the outside for cable laying
- Solid plastic or in combination with aluminium stays
- Extremely robust owing to strong sideband construction
- Enclosed stroke system not sensitive to dirt/contamination
- Transmission of forces (tensile and shearing forces) over a large surface area via the optimum link design – according to the “life extending 2 disc principle”
- Standard universal mounting brackets (UMBs) suitable for any assembly situation
- Optionally available with different strain relief systems
- TÜV design approved in accordance with 2PFG 1036/10.97



KC Series

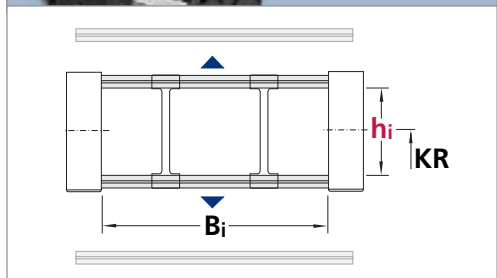
Type KC with aluminium stays

Plastic and aluminium combination

Available in 1 mm width sections

Dimensions in mm

Type	h _i	B _i	Maximum travel length in m	Dynamics of unsupported arrangement		Page
				Travel speed v _{max} in m/s	Travel acceleration a _{max} in m/s ²	
KC 0650	38	75-400	220	8	40	76
KC 0900	58	100-500	260	6	30	76



KE Series

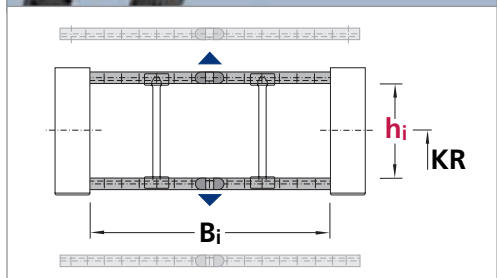
Type KE with plastic stays

Solid plastic

available in 8 or 16 mm width sections

Dimensions in mm

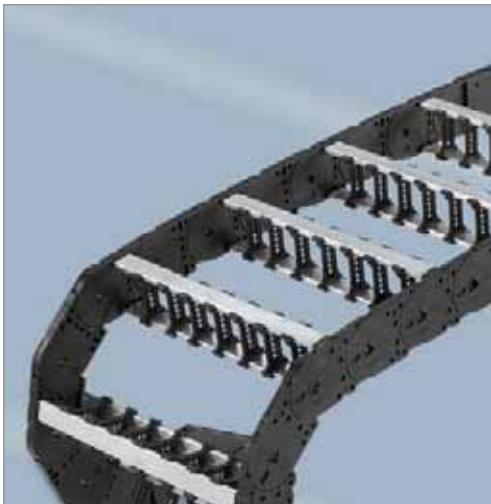
Type	h _i	B _i	Maximum travel length in m	Dynamics of unsupported arrangement		Page
				Travel speed v _{max} in m/s	Travel acceleration a _{max} in m/s ²	
KE 0650	42	68-260	220	8	40	76
KE 0900	58	81-561	260	6	30	76



K Series – Types KC 0650/0900 and KE 0650/0900

Carrier construction

Types KC 0650/0900



Hybrid cable carriers with plastic chain bands and aluminium stays.

Available in **1 mm width sections**.



Standard stay arrangement:

on every 2nd chain link.

Stays can be fitted on every chain link, please specify when placing your order.

Types KE 0650/0900



Solid plastic cable carriers.

KE 0650: Available in **8 mm width sections**.

KE 0900: Available in **16 mm width sections**.

Standard stay arrangement:

on every 2nd chain link.

Stays can be fitted on every chain link, please specify when placing your order

K Series – Types KC 0650/0900 and KE 0650/0900

Stay variants

Stay variants for types KC 0650 and KC 0900



**Frame stay RS made of aluminium –
Standard design – types KC 0650/0900**

For lightweight to medium loads.

Opening options:

Outside / inside: the cable carrier can be opened quickly and easily simply by rotating the stays through 90°.



**Frame stay RV made of aluminium –
Reinforced design – type KC 0900**

For medium to heavy loads and for large chain widths.

Opening options:

Outside / inside: the cable carrier can be opened quickly and easily simply by rotating the stays through 90°.



Hole stay LG available on request.

Stay variants for the types KE 0650 and KE 0900



Frame stay RE made of plastic

Opening options:

Outside / inside: the cable carrier can be opened quickly and easily simply by rotating the stays through 90°.



K Series – Types KC 0650/0900 and KE 0650/0900

Dimensions and intrinsic chain weight

Types KC 0650/0900

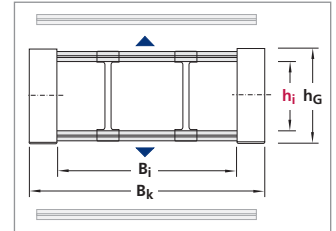
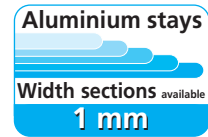
Dimensions in mm/Weights in kg/m

Type	Stay variant	h_i	h_G	B_i min	q_k min	B_i max	q_k max	B_k
KC 0650	RS	38	57.5	75	1.87	400	3.60	$B_i + 28$
KC 0900	RS	58	78.5	100	2.80	400	5.80	$B_i + 31$
KC 0900	RV	58	78.5	100	3.20	500	7.00	$B_i + 31$

Standard widths in 25 mm steps available **ex-stock**.

Type 0650: $B_i = 75, 100, 125, 150 \dots 400$

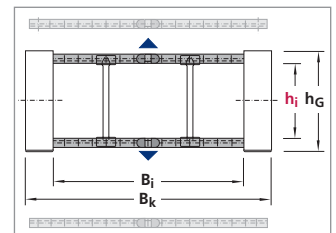
Type 0900: $B_i = 100, 125, 150, 175 \dots 500$



Types KE 0650/0900

Dimensions in mm/Weights in kg/m

Type	Stay variant	h_i	h_G	B_i min	q_k min	B_i max	q_k max	B_k
KE 0650	RE	42	57.5	68	1.75	260	2.71	$B_i + 28$
KE 0900	RE	58	78.5	81	2.95	561	5.95	$B_i + 31$



Bend radius and pitch

Types KC/KE 0650/0900

Dimensions in mm

Type	Bend radii KR						
KC/KE 0650	75	115	145	175	220	300	
KC/KE 0900	130	150	190	245	300	385	

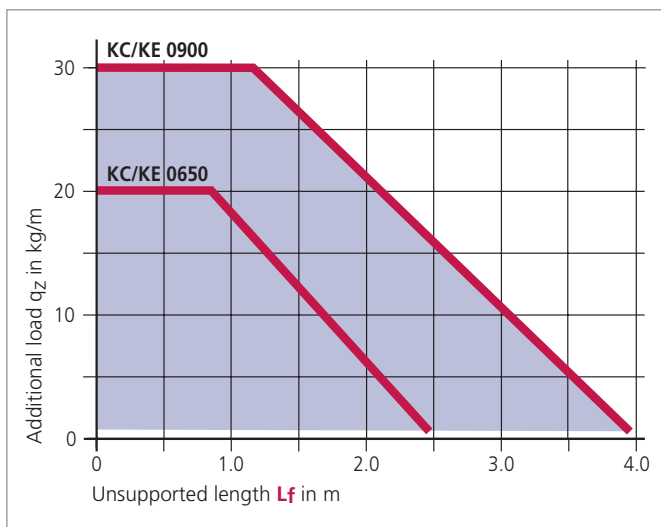
Pitch:

KC/KE 0650: $t = 65$ mm

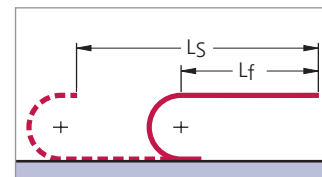
KC/KE 0900: $t = 90$ mm

Load diagram

for unsupported length L_f depending on the additional load



Unsupported length L_f



In the case of longer travel lengths, sag of the cable carriers is technically permissible depending on the application.

In a gliding arrangement, even longer travel lengths are possible (see page 219).

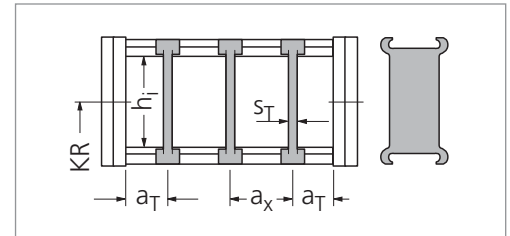
We are at your service to advise on these applications.

K Series – Types KC 0650/0900

Divider systems – Types KC 0650/0900

Divider system TS 0

Type	Stay variant	h_i mm	S_T mm	a_T min mm	a_x min mm
KC 0650	RS	38	3	6.5	13
KC 0900	RS	58	4	7	14
KC 0900	RV	58	4	7	14

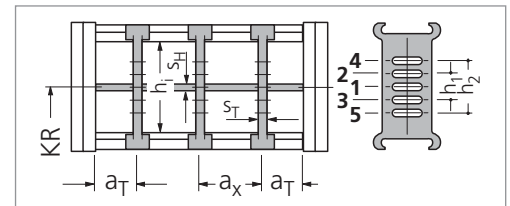


In the standard version, the divider systems are mounted on every second chain link.

Divider system TS 1

with continuous height subdivision made of aluminium

Type	Stay variant	h_i mm	S_T mm	a_T min mm	a_x min mm	S_H mm	h_1 mm	h_2 mm
KC 0650	RS	38	3	6.5	13	4	15	–
KC 0900	RS	58	4	7	14	4	30	–
KC 0900	RV	58	4	7	14	4	15	30



In the standard version, the divider systems are mounted on every second chain link.

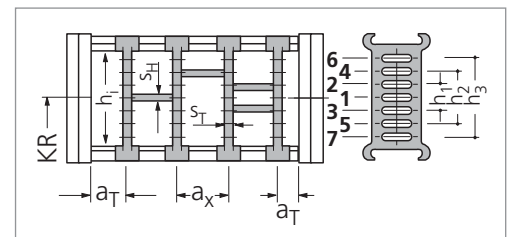
Divider system TS 3

with partitioned height subdivision made of plastic

Type	Stay variant	h_i mm	S_T mm	a_T min mm	a_x min mm	S_H mm	h_1 mm	h_2 mm	h_3 mm
KC 0650	RS	38	8	4	16*	4	14	28	–
KC 0900	RV	58	8	4	16*	4	14	28	42

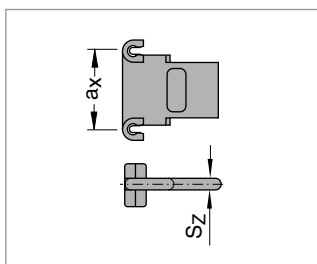
* When using plastic partitions

The dividers are fixed by the partitions, the complete divider system is movable.



In the standard version, the divider systems are mounted on every second chain link.

Dimensions of the plastic partitions for TS 3



Aluminium partitions in 1 mm width sections are also available.

S_z	Dimensions in mm									
	a_x (center-to-center distance, dividers)									
4	16	18	23	28	32	33	38	43	48	58
	64	68	78	80	88	96	112	128	144	160
	176	192	208							

When using **partitions with $a_x > 112$ mm**, there should be an additional central support with a **twin divider**.

Thickness of the twin dividers: KC 0650 $S_T = 3$ mm, KC 0900 $S_T = 4$ mm

Twin dividers are designed for subsequent fitting in the partition system. You can find further information on this in our main catalog.

K Series – Types KE 0650/0900

Fixing the dividers – Types KE 0650/0900

In the standard version, dividers or the complete divider system (dividers with height subdivisions) can be moved in the cross section (**Mounting version A**).

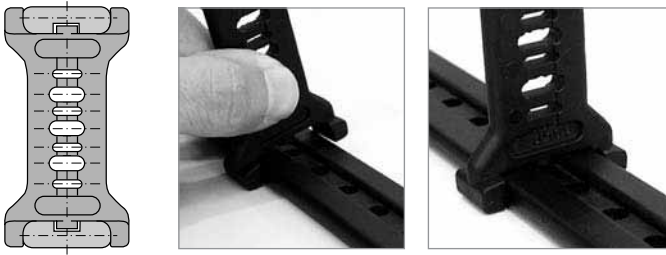
For divider systems TS 0 and TS 1 the dividers or complete divider systems (dividers with height subdivisions) can be fixed by turning the stays (**Mounting version B**).

If the fixed mounting version is desired, please state this when placing your order.

Mounting version A (standard)

Movable Divider:

The arresting cam of the divider can move in the groove of the stay.

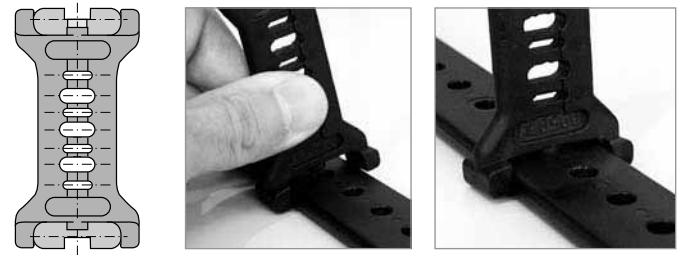


With a movable assembly of the dividers (mounting version A), the holes in the stay do not have any function and hence the dimension a_x -section has is meaningless.

Mounting version B

Fixed Divider:

The arresting cam of the divider is fixed in the hole of the stay.



Please note that the dividers can only be fixed in positions at which there is a hole in the stay.

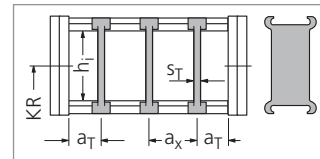
The dimension a_x -section specifies the hole intervals in the stay.

Hole intervals = fixing positions of the dividers (a_x -sections)

Divider system TS 0

Type	Stay variant	h_i mm	Mounting version A			Mounting version B			
			S_T mm	a_T min mm	a_x min mm	S_T mm	a_T min mm	a_x min mm	a_x section mm
KE 0650	RE	42	4.2	6.5	13.0	4.2	22.0	16	8
KE 0900	RE	58	6.0	7.5	14.5	6.0	8.5	16	16

In the standard version, the divider systems are mounted on every second chain link.

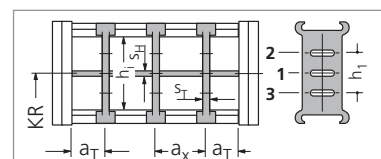


Divider system TS 1

with continuous height subdivision made of aluminium

Type	Stay variant	h_i mm	Mounting version A			Mounting version B				S_H mm	h_1 mm
			S_T mm	a_T min mm	a_x min mm	S_T mm	a_T min mm	a_x min mm	a_x section mm		
KE 0650	RE	42	4.2	6.5	13.0	4.2	22.0	16	8	4	22
KE 0900	RE	58	6.0	7.5	14.5	6.0	24.5	16	16	4	22

In the standard version, the divider systems are mounted on every second chain link.



K Series – Types KE 0650/0900

Divider systems

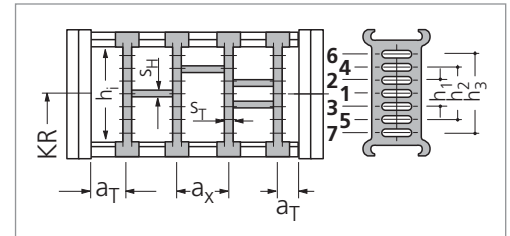
Divider system TS 3

with partitioned height subdivision made of plastic

Type	Stay variant	h_i mm	S_T mm	a_T min mm	a_x min mm	S_H mm	h_1 mm	h_2 mm	h_3 mm
KE 0650	RE	42	8	4	16*	4	14	28	–
KE 0900	RE	58	8	4	16*	4	14	28	42

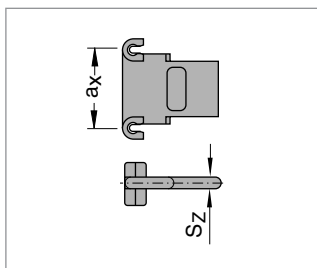
* When using plastic partitions

The dividers are fixed by the partitions, the complete divider system is movable.



In the standard version, the divider systems are mounted on every second chain link.

Dimensions of the plastic partitions for TS 3



Aluminium partitions in 1 mm width sections are also available.

S_z mm	Dimensions in mm									
	a_x mm (center-to-center distance dividers)									
4	16	18	23	28	32	33	38	43	48	58
	64	68	78	80	88	96	112	128	144	160
	176	192	208							

When using **partitions with $a_x > 112$ mm**, there should be an additional central support with a **twin divider**.

Thickness of the twin dividers: KE 0650 $S_T = 3$ mm, KE 0900 $S_T = 4$ mm

Twin dividers are suitable for retrospective assembly in the partitionsection system.

Please see our main catalogue for more information on this.

K Series – Types KC/KE 0650/0900

Gliding elements KC/KE

Glide discs and injection molded glide runners



Glide discs

If the cable carrier is arranged rotated "through 90" (gliding on the outer side of the chain band), the glide discs attached to the side optimize the friction and wear conditions.

Determining the chain width with glide discs on both chain bands:

$$\text{KC / KE 0650: } B_{EF'} = B_i + 36 \text{ mm}$$

$$\text{KC / KE 0900: } B_{EF'} = B_i + 45 \text{ mm}$$



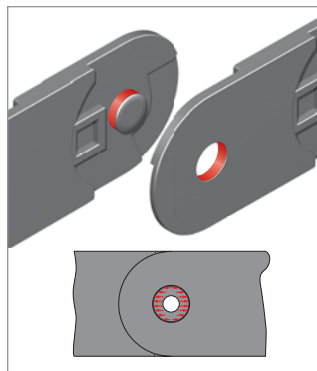
Injection molded glide runners

guarantee the long service life of the cable carrier in the case of long travel lengths and large additional loads.

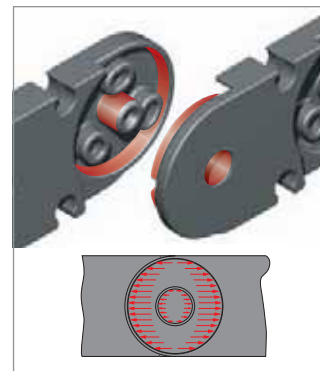
Minimized hinge wear owing to the "life extending 2 disc principle"

In the K Series, the push and pull forces are transmitted via the optimum link design for this purpose.

As a result link wear is reduced to a minimum and the life of the cable carrier is considerably lengthened.



■ Force transmission with a pin-hole joint

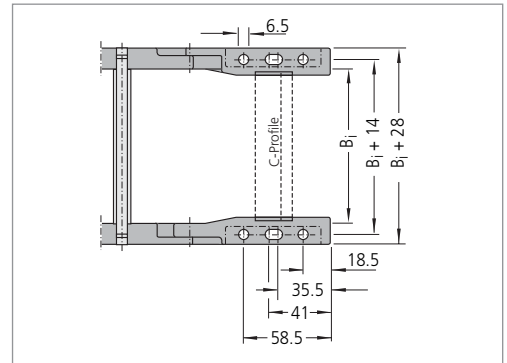
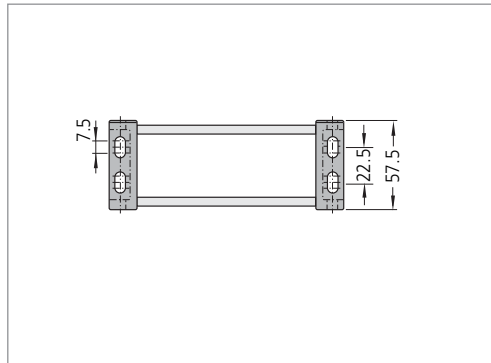
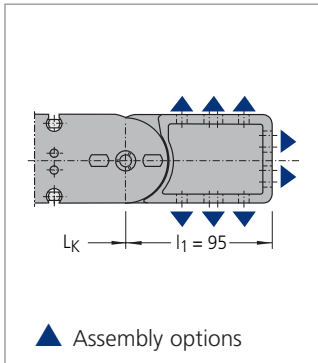


■ Force transmission with the "life extending 2 disc principle"

K Series – Types KC/KE 0650/0900

Connection dimensions for types KC/KE 0650

UMB (Universal Mounting Brackets) made of plastic



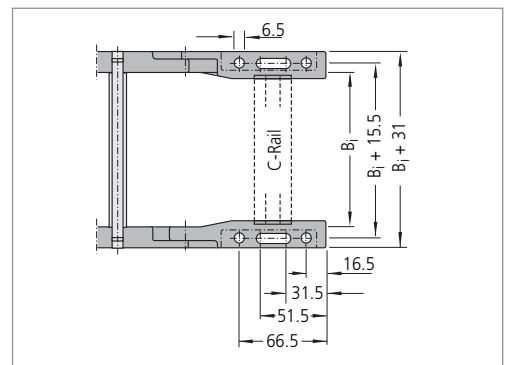
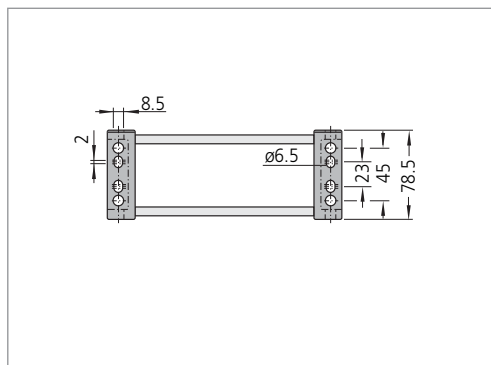
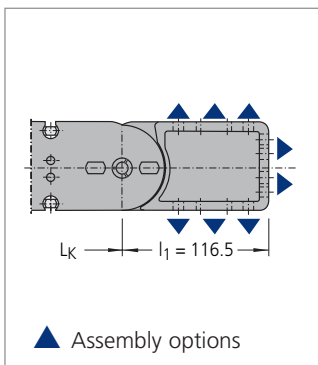
The dimensions of the fixed point and driver connections are identical.

Optionally with C-Profile, slot width 11 – 12 mm, suitable for KABELSCHLEPP SZL-strain relief devices and all common commercial bracket clamps with a small base (see chapter on guide channels and other accessories, from page 218 onwards).

End connectors made of steel plate available on request.

Connection dimensions for types KC/KE 0900

UMB (Universal Mounting Brackets) made of plastic



The dimensions of the fixed point and driver connections are identical.

Optionally with C-Rail, slot width 16 – 17 mm, suitable for KABELSCHLEPP SZL-strain relief devices and all common commercial bracket clamps with a large base (see chapter on guide channels and other accessories, from page 218 onwards).

End connectors made of steel plate available on request.